

Specifications

SMART Room System™

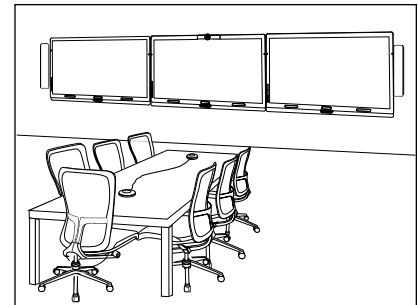
with SMART Meeting Pro® software and three SMART Board® 8070i-G4 interactive flat panels

Model SRS-MP-370

Overview

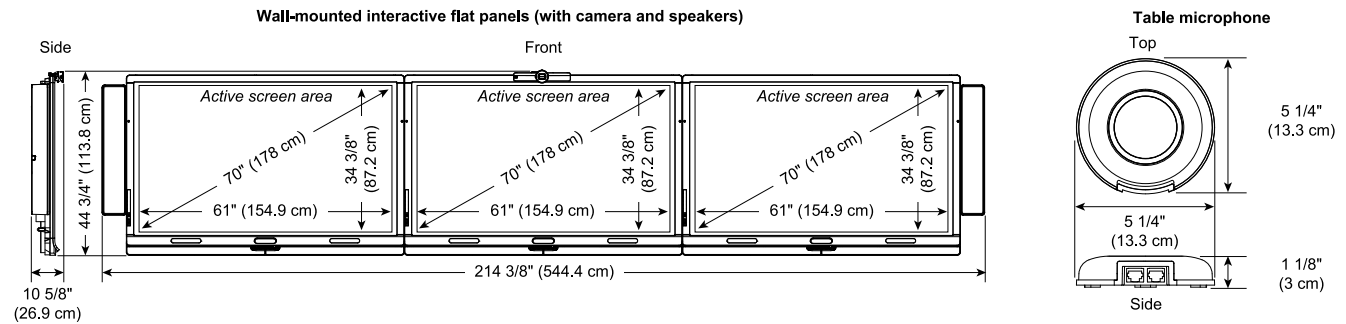
The SMART Room System™ with SMART Meeting Pro® software and three SMART Board® 8070i-G4 interactive flat panels features three 70" (178 cm) interactive flat panels, a camera, microphones, speakers and supporting hardware as well as SMART Meeting Pro® software and SMART Meeting Pro PE software. This bundle is designed for use in highly collaborative team environments.

See smarttech.com for more information on this product.



Dimensions and weights*

Dimensions



	Weight	Shipping weight	Shipping dimensions
Interactive flat panel (×3)	205 lb. (93 kg)	251 lb. (114 kg)	77 1/8" × 56 1/4" × 15 3/8" (196 cm × 143 cm × 39 cm)
Wall mount (×3)	24 lb. (10.9 kg)	31 lb. (14 kg)	46" × 12 1/2" × 11" (117 cm × 32 cm × 28.1 cm)
Camera	8 oz. (0.2 kg)	2 lb. (0.9 kg)	15 5/8" × 5 1/2" × 4 3/8" (39.6 cm × 14 cm × 11 cm)
Table microphones and audio processor	2 lb. (0.9 kg)	6 lb. (2.5 kg)	16 1/2" × 9 7/8" × 7" (41.9 cm × 25.2 cm × 17.8 cm)
Speakers	15 lb. (7 kg)	20 lb. (9.1 kg)	37 3/4" × 15 1/2" × 7 3/8" (96 cm × 39.5 cm × 18.8 cm)
Cables and accessories	1 lb. (0.5 kg)	2 lb. 8 oz. (1.1 kg)	14" × 10 1/2" × 3 1/4" (35.6 cm × 26.7 cm × 8.3 cm)

*All dimensions ± 1/8" (0.3 cm). All weights ± 2 lb. (0.9 kg).

Hardware

Included hardware

SBID 8070i-G4	SMART Board 8070i-G4 interactive flat panel (×3)
WM-SBID-501	Wall mount (×3)
CAM301	Camera
MIC500	Table microphone (×2)
MIX500	Audio processor
CSR500	Speakers

Included cables

For interactive flat panels	20' 8" (6.3 m) HDMI (×3) 4' (1.3 m) USB (×3) 16' 5" (5 m) USB extender (×3) 8' (2.4 m) IEC 60320 C13 to country-specific power (×3)
For camera	16' 5" (5 m) USB Power
For table microphones and audio processor	30' (9 m) audio (audio processor to microphone) 13' (4 m) audio (microphone to microphone) 16' 5" (5 m) USB Power
For speakers	6' (1.8 m) dual RCA (audio processor to speaker) 16' 5" (5 m) audio (speaker to speaker) Power

Interactive flat panel specifications

Touch technology	DViT® (Digital Vision Touch) technology
Screen size (diagonal)	70" (178 cm)
Aspect ratio	16:9
Optimal resolution	1920 × 1080 at 60 Hz
Horizontal frequency	54–69.75 kHz (analog and digital)
Vertical frequency	48–62 Hz
Contrast ratio (typical)	4000:1
Brightness (typical)	180–250 cd/m ²
Pixel pitch	0.807 mm

SMART ROOM SYSTEM WITH SMART MEETING PRO SOFTWARE AND THREE SMART BOARD 8070I-G4 INTERACTIVE FLAT PANELS – MODEL SRS-MP-370

Camera specifications

Features	Digital pan, tilt and zoom (DPTZ) Automatic white balance Automatic exposure and power line frequency detection Manual lens tilt adjustment Internal privacy shutter Video recording indicator
Aspect ratio	16:9
Resolution (maximum)	1920 × 1080
Frame rate (typical)	30 frames per second (at ≥ 200 lx)
Field of view	109° (full) 98° (horizontal)
Depth of field	3'–33' (1–10 m)
Signal-to-noise ratio (minimum)	33 dB at ≥ 50 lx 36 dB at ≥ 200 lx
Dynamic range (minimum)	42 dB

Table microphone specifications

Features	Mute button and indicator Daisy-chain up to five microphones
Local speaker audio level	60–65 dBA measured at 20" (0.5 m)

Speaker specifications

Total harmonic distortion	< 1% average < 3% maximum 80–10 kHz
Frequency response	± 6 dB, 80–10 kHz
Nominal volume	76 dBSPL

Audio specifications

Echo cancellation	> 45 dB at nominal receive output level
-------------------	---

Software

Included software	SMART Meeting Pro software SMART Meeting Pro PE software
--------------------------	---

Storage and operating requirements

Interactive flat panel power requirements and consumption

Power requirements	100–240V AC, 50–60 Hz
--------------------	-----------------------

Power consumption at 77°F (25°C)	930 W
-------------------------------------	-------

Other component power requirements and consumption

Camera	6 W	(19V DC at 0.2A)
--------	-----	------------------

Audi processor	20 W	(19V DC at 0.06A)
----------------	------	-------------------

Speakers	58.5 W	(19V DC at 0.585A)
----------	--------	--------------------

Total	84.5 W	
-------	--------	--

Operating temperature	41–95°F (5–35°C)
------------------------------	------------------

Storage temperature	-4–140°F (-20–60°C)
----------------------------	---------------------

Humidity	5–80% relative humidity, non-condensing
-----------------	---

Certification and compliance

Regulatory certification	UL (U.S. and Canada), FCC, IC, C-Tick, NOM, CU, CB, VCCI, KC, PSB and BIS
---------------------------------	---

Environmental compliance

China	EIP
-------	-----

European Union	REACH, RoHS, WEEE, Battery, Packaging and ErP Standby
----------------	---

U.S.	Packaging and Conflict Minerals
------	---------------------------------

Purchasing information

Order number

SRS-MP-370	SMART Room System with SMART Meeting Pro software and three SMART Board 8070i-G4 interactive flat panels
------------	--

Optional accessories

MIC500	Additional table microphone
--------	-----------------------------

WSK-SINGLE (×3)	Three wall stands for transferring some of the weight of the interactive flat panels to the floor
-----------------	---

SMART ROOM SYSTEM WITH SMART MEETING PRO SOFTWARE AND THREE SMART BOARD 8070I-G4 INTERACTIVE FLAT PANELS – MODEL SRS-MP-370

Warranty

Two-year warranty	Interactive flat panels Camera
-------------------	-----------------------------------

One-year warranty	Speakers Wall mounts
-------------------	-------------------------

90-day return	Cables, pens, batteries and other items that can be purchased from the Store for SMART Parts (see smarttech.com/Support/PartsStore)
---------------	---

Extended warranty

EWY1-8070-SMP	SMART Board 8070i-G4 interactive flat panel one-year warranty extension
---------------	---

LCD pixel policy	See knowledgebase.force.com/articles/TROUBLESHOOTING/Limited-pixel-warranty-for-SMART-Board-8000i-series-interactive-flat-panels
-------------------------	--

smarttech.com/support
smarttech.com/contactsupport

© 2014 SMART Technologies ULC. All rights reserved. SMART Room System, SMART Meeting Pro, SMART Board, DVIT, smarttech, the SMART logo and all SMART taglines are trademarks or registered trademarks of SMART Technologies ULC in the U.S. and/or other countries. All third-party product and company names may be trademarks of their respective owners. This product and/or use thereof covered by one or more of the following U.S. patents. www.smarttech.com/patents. Contents are subject to change without notice. 10/2014.