

# Specifications

## SMART Height-Adjustable Wall Mount

### Model HAWM-UX/UF

#### Physical specifications

##### Size

Without SMART Board™ interactive whiteboard	43 1/2" W × 58" H × 7" D (109 cm × 145 cm × 14 cm)
Suggested mounting height for 8' (2.4 m) ceiling	58" (147.3 cm) or lower from floor to wall-mount bracket

##### Weight

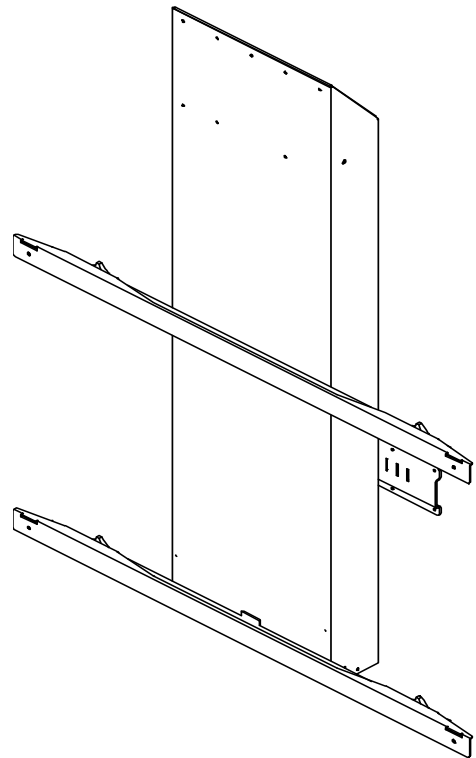
Without SMART Board interactive whiteboard	98 lb. (44.4 kg)
---	------------------

##### Shipping size

Without SMART Board interactive whiteboard	61 3/4" W × 21 3/4" H × 7 1/4" D (156.8 cm × 55.2 cm × 18.4 cm)
---	--

##### Shipping weight

Without SMART Board interactive whiteboard	110 lb. (49.9 kg)
---	-------------------



#### **i** NOTE:

See the [SMART Board interactive whiteboard page](https://www.smarttech.com/support) at [smarttech.com/support](https://www.smarttech.com/support) for your interactive whiteboard's specifications.

All dimensions +/- 1/8" (0.3 cm). All weights +/- 2 lb. (0.9 kg)

## Standard features

**Adjustable height** 25" (63 cm) of vertical travel allows you to raise or lower your interactive whiteboard to a convenient height.

SMART Board 660  
interactive whiteboard

- Reach points for this interactive whiteboard mounted at 58" (147.3 cm):

**Interactive**

whiteboard position	Lowest reach point	Highest reach point
Lowest position	12 5/8" (32 cm)	61 1/8" (155 cm)
Highest position	37 1/8" (94 cm)	86 1/8" (219 cm)

SMART Board 880  
interactive whiteboard

- Reach points for this interactive whiteboard mounted at 58 7/8" (149.5 cm):

**Interactive**

whiteboard position	Lowest reach point	Highest reach point
Lowest position	14 7/8" (38 cm)	61 1/8" (155.3 cm)
Highest position	39 7/8" (101 cm)	86 1/8" (219 cm)

**i NOTE**

Reach point refers to the height of the SMART Board interactive whiteboard's touchable screen (see page 5 for more information).

**Power source** You can set the voltage switch to either 115V AC or 230V AC.

Product uses 100 W while raising or lowering your interactive whiteboard and 3 W while in standby mode.

**Security** The height-adjustable wall mount automatically locks in position

**Installation** Product installs quickly and easily on a versatile wall bracket

**Mounting hardware** Includes mounting hardware for installation on both stud-walls and solid walls made of brick or cinder concrete block. Check your local building codes to ensure that your wall can support the product's weight.

**Certifications and compliance** China EIP, EU WEEE, EU RoHS, US CPSIA and packaging

**Regulatory certification** CSA, CE, C-Tick and FCC

**Warranty** Two-year limited equipment warranty

## Storage and operating specifications

Operating temperature Operating temperature range depends on your projector and interactive whiteboard. See your product documentation for more information.

Storage temperature -40°F to 140°F (-40°C to 60°C)

Humidity 95°F (35°C) with up to 85% relative humidity, non-condensing

## SMART order numbers

HAWM-UX/UF Height-adjustable wall mount. This product includes wall mounting hardware. Combine this with one of the interactive whiteboard systems below.

### **SMART UX60 projector system**

- SB685ix SMART Board 685ix interactive whiteboard system (includes a SMART Board 685 interactive whiteboard integrated with a SMART UX60 ultra-short-throw projector)
- SBD685ix SMART Board D685ix interactive whiteboard system (includes a Dual-Touch/Dual-Write SMART Board 685 interactive whiteboard integrated with a SMART UX60 ultra-short-throw projector)
- SBX885ix SMART Board X885ix interactive whiteboard system (includes a SMART Board X885 interactive whiteboard integrated with a SMART UX60 ultra-short-throw projector)
- SBA-L Optional speakers for the SMART Board 685ix interactive whiteboard system

### **SMART UF55 projector systems**

- When combined with the mobile floor stand, these systems allow for in-room mobility only.
- SB660i3 SMART Board 660i3 interactive whiteboard system (includes a SMART Board 660 interactive whiteboard integrated with a SMART UF55 projector)
- SB680i3 SMART Board 680i3 interactive whiteboard system (includes a SMART Board 680 interactive whiteboard integrated with a SMART UF55 projector)
- SB685i3 SMART Board 685i3 interactive whiteboard system (includes a SMART Board 685 interactive whiteboard integrated with a SMART UF55 projector)
- SBD680i3 SMART Board D680i3 interactive whiteboard system (includes dual-touch/dual-write SMART Board 680 interactive whiteboard integrated with a SMART UF55 projector)
- SBD685i3 SMART Board D685i3 interactive whiteboard system (includes a dual-touch/dual-write SMART Board 685 interactive whiteboard integrated with a SMART UF55 projector)
- SBA Optional speakers for SMART UF55 projector systems

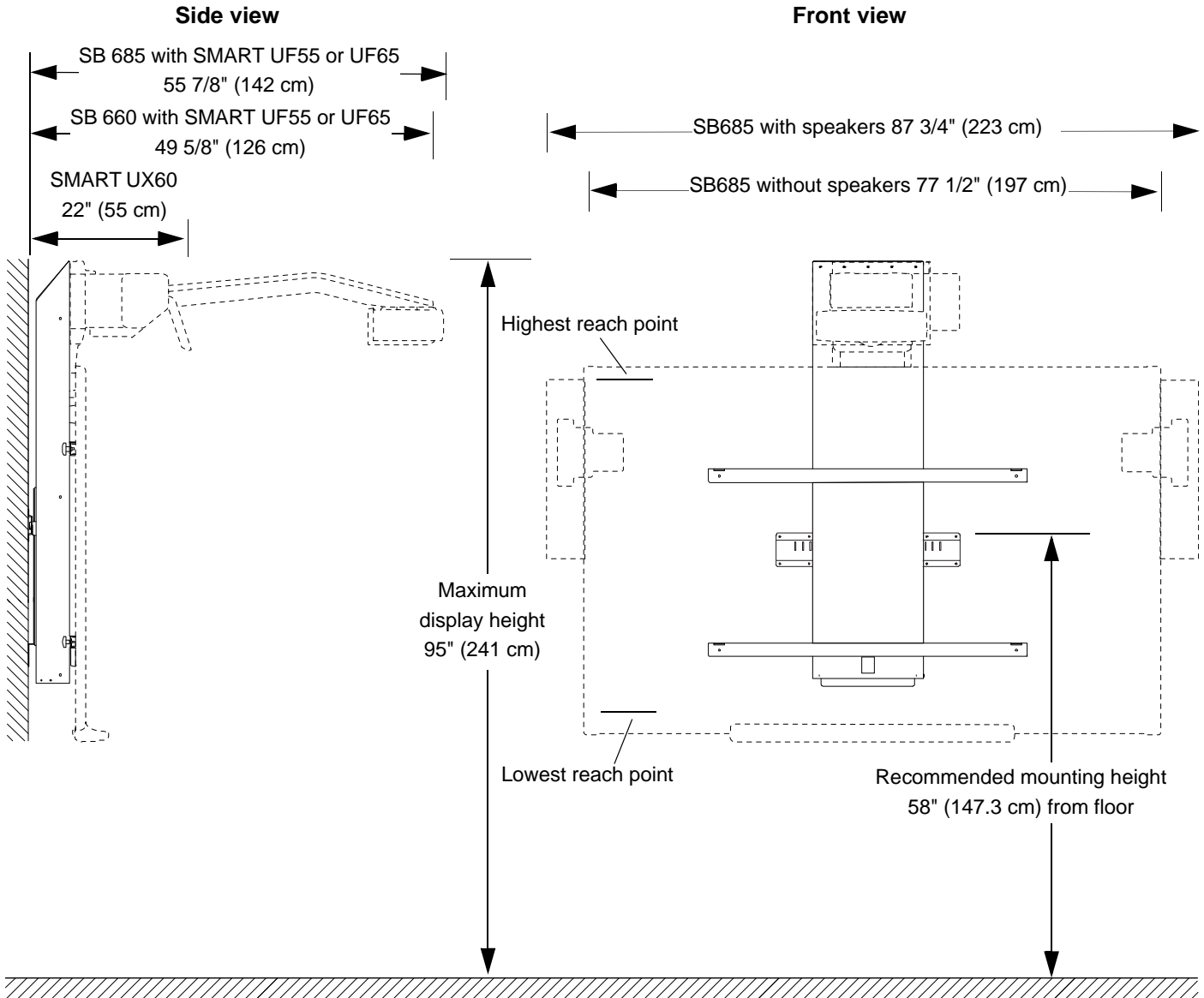
### **SMART UF65 projector systems**

- When combined with the mobile floor stand, these systems allow for in-room mobility only.
- SB660i4 SMART Board 660i4 interactive whiteboard system (includes a SMART Board 660 interactive whiteboard integrated with a SMART UF65 projector)
- SB680i4 SMART Board 680i4 interactive whiteboard system (includes a SMART Board 680 interactive whiteboard integrated with a SMART UF65 projector)
- SBD680i4 SMART Board D680i4 interactive whiteboard system (includes a dual-touch/dual-write SMART Board 680 interactive whiteboard integrated with a SMART UF65w projector)
- SBD685i4 SMART Board D685i4 interactive whiteboard system (includes a dual-touch/dual-write SMART Board 685 interactive whiteboard integrated with a SMART UF65w projector)
- SBX880i4 SMART Board X880i4 interactive whiteboard system (includes a SMART Board X880 interactive whiteboard integrated with a SMART UF65 projector)

**4 | SPECIFICATIONS – SMART HEIGHT-ADJUSTABLE WALL MOUNT –  
MODEL HAWM-UX/UF**

- SBX885i4 SMART Board X885i4 interactive whiteboard system (includes a SMART Board X885 interactive whiteboard integrated with a SMART UF65 projector)
- SBA-L Optional speakers for the SMART Board 685ix interactive whiteboard system and SMART UF65 projector systems

## Physical dimensions



[www.smarttech.com/support](http://www.smarttech.com/support) [www.smarttech.com/contactsupport](http://www.smarttech.com/contactsupport)  
Support +1.403.228.5940 or Toll Free 1.866.518.6791 (U.S./Canada)

**SMART**<sup>TM</sup>

© 2010 SMART Technologies ULC. All rights reserved. SMART Board, the SMART logo and smarttech are trademarks or registered trademarks of SMART Technologies ULC in the U.S. and/or other countries. All third-party product and company names may be trademarks of their respective owners. Patents pending. Contents are subject to change without notice. 11/2010.