

## Specifications

**SMART Board® interactive whiteboard system**

Model SB885i6

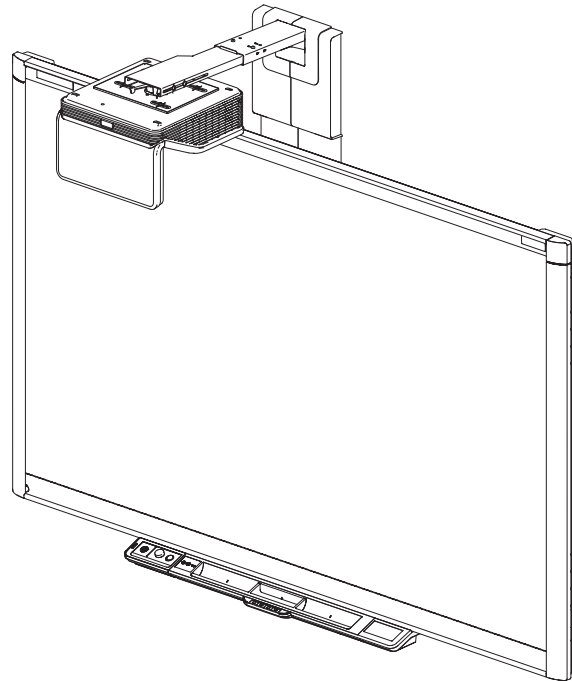
## Overview

Your SMART Board® 885i6 interactive whiteboard system combines the use of a SMART Board 800 series interactive whiteboard and a SMART UF70w projector along with other accessories and optional equipment.

The SMART UF70w projector provides an ultra-bright high resolution image on a short boom delivering high definition, high performance interactivity that is virtually shadow-free and glare-free. You can do everything you can do at your computer—open and close applications, meet with others, create new documents or edit existing ones, visit websites, play and manipulate video clips and more—just by touching the interactive surface. Four users can draw on the interactive surface at the same time, and you can use an array of gestures within applications.

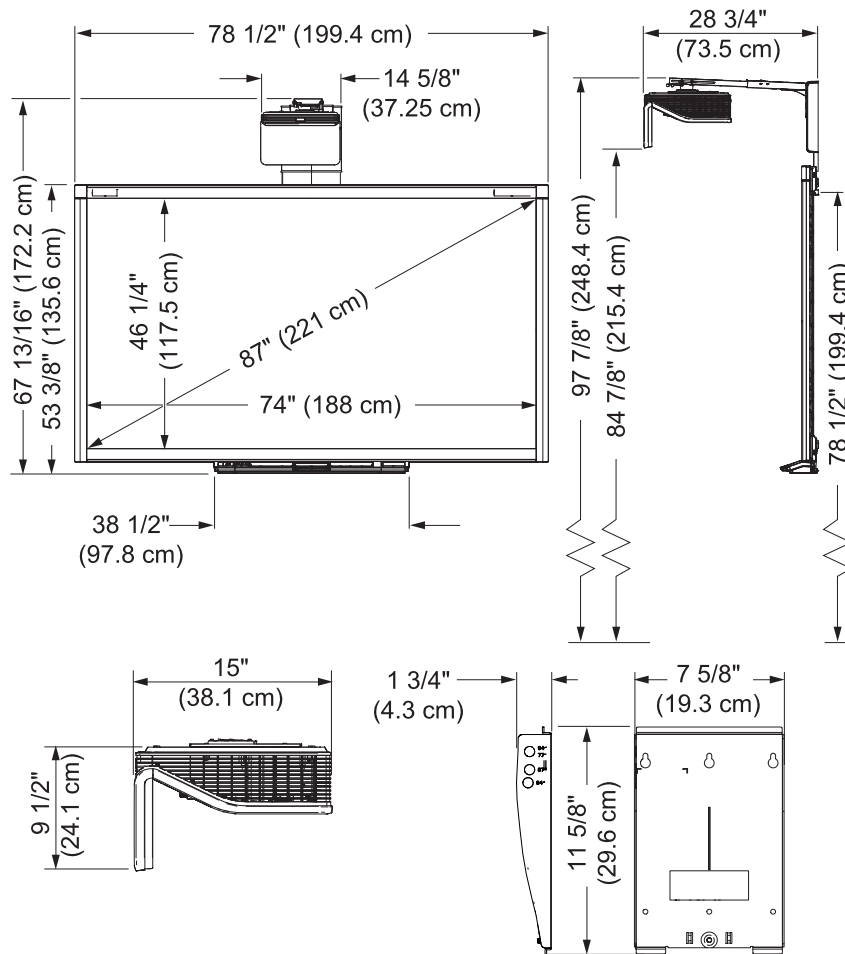
The SB885i6 system supports video and audio from a variety of devices, including DVD and Blu-ray™ players, document cameras, and other high-definition sources, and is displayed on the interactive screen. All HDMI 1.4 inputs are HDCP compliant.

See [smarttech.com](http://smarttech.com) for more information on this product.



## Dimensions and weights\*

### Dimensions



### SMART Board 885 interactive whiteboard

#### Weight

60 lb. (27.2 kg)

#### Shipping dimensions

4 3/8" W × 56 3/4" H × 88" D  
(11.1 cm × 144.1 cm × 223.5 cm)

#### Shipping weight

90 lb. (40.8 kg)

### SMART UF70w projector

#### Weight (projector only)

16 lb. 11 oz (7.6 Kg)

#### Weight (projector and boom)

28 lb. 6 oz. (12.9 Kg)

#### Shipping weight

35 lb. 13 oz. (16.2 kg)

#### Shipping dimensions

20" W × 15 1/2" H × 24" D  
(50.8 cm × 39.4 cm × 61 cm)

#### Projector dimensions

14 5/8" W × 9.1/2" H × 28 3/4" D  
(37.1 cm × 24.1 cm × 73 cm)

### Extended control panel (ECP)

#### Dimensions

6 5/8" W × 2 1/8" H × 4 5/8" D  
(16.8 cm × 5.5 cm × 11.9 cm)

#### Weight

5 lb 11 oz. (2.6 kg)

#### Shipping dimensions

16 1/2" W × 14" H × 3" D  
(41.9 cm × 35.6 cm × 7.6 cm)

#### Remote control

#### Dimensions

1 5/8" W × 3 3/8" H × 1/4" D  
(4.1 cm × 8.6 cm × 0.6 cm)

\*All dimensions ± 1/8" (0.3 cm). All weights ± 2 lb. (0.9 kg).

## Hardware

### Projector

Brightness (standard)	3000 lumens 230 W mode at a CCT of 6500 K by the IEC method
Brightness (economy)	2250 lumens 190 W mode. at a CCT of 6500 K by the IEC method
Native resolution	WXGA 1280 × 800
Aspect ratio	16:10 with support for 16:9, and 4:3 and 5:4 ratio with scaling
Throw ratio	Short throw 0.35:1 ratio
Throw distance	25.75" (65.5 cm)
Display technology	The projection engine uses DLP® technology by Texas Instruments™, providing BrilliantColor™ performance and quality Gamma 2.2 correction with Bright Room, Dark Room, sRGB, User and SMART Presentation modes.
Lamp life	2500 hours in Standard 230 W mode. 4000 hours in Economy 190 W mode.
Integrated loud speaker	9 W rms
Projector noise	32 dBA standard fan speed. 37 dBA high speed fan speed.
Contrast ratio (typical)	2900:1
Video system compatibility	HDTV (720p and 1080p) video system compatibility and HD Ready (HDMI technology and 720p) available, NTSC, NTSC 4:43, PAL, PAL-N, PAL-M and SECAM (480i/p and 576i/p)
Video interface compatibility	HDCP compliant HDMI, Composite, VESA® RGB with additional interface support for Component YPbPr and Component YCbCr inputs with the proper adapters (not included)
Horizontal frequency	15 kHz–72 kHz
Vertical frequency	15 Hz–75 Hz
Clock frequency	165 Mhz
External management	Infrared remote control, RS-232 control port, internal web page, Crestron® RoomView® management via Ethernet



### Interactive whiteboard

Touch resolution	4000 × 4000
Touch and gestures	Users can interact with the interactive whiteboard using the included pens or other objects or by using their fingers to write, erase and perform mouse functions. The Object Awareness feature enables you to pick up a pen, and then write, select or erase without replacing the pen. This interactive whiteboard also features gesture capability, providing a natural and flexible way to interact with content.

SPECIFICATIONS

**SMART BOARD® INTERACTIVE WHITEBOARD SYSTEM – MODEL SB88516**

Digitizing technology	Four-camera DViT® (Digital Vision Touch) technology with steel coated dry erase surface
Pen tray	Optical sensors in the pen tray detect when you lift a pen or eraser from the tray. Color buttons on the pen tray enable you to select pen color.
Accessories	Two ergonomic pens with comfort grip and rectangular eraser
Extended Control Panel (ECP)	SB88516 - included with the system, not pre-attached to the pen tray
Included cables and hardware SB88516	14' 9" (4.5 m) power cable Infrared remote control 16' 5" (5 m) USB cable 13' 5.5" (4.1 m) 3.5 mm stereo audio cable Projector wiring harness
Theft protection	Projector system padlock ring SB800 system - Kensington security slot

**Connectors**

<b>Projector connectors</b>	3.5 mm phone jack audio input 3.5 mm phone jack audio output DB15F RGB VGA video input (VGA In) DB15F RGB VGA video input (VGA Out) DB9F RS-232 control port HDMI 1.4 input Power (100V–240V AC at 50 Hz–60 Hz) USB-B port (for service use only) RJ45 - Ethernet connector 7-pin mini-DIN for ECP data 4-pin mini-DIN 5V/2A output for ECP USB HUB/switch power RCA analog audio and composite video (red, white and yellow) Microphone 3.5 mm
<b>ECP connectors</b>	RJ11 6-wire internal pen tray connection 11-pin connects to projector wiring harness 4-pin room control system via SB8-CTRL adapter cable USB-B connects to bottom of pen tray USB mini-Type B (x2) primary and secondary computer connections USB Type A for USB Drive or memory stick

**Computer requirements**

<b>SB88516</b>	Windows® operating system or Mac operating system software and SMART Notebook® collaborative learning software installed. For a complete list of computer requirements, go to <a href="http://smarttech.com/downloads">smarttech.com/downloads</a> and browse to the latest SMART Notebook software release notes applicable to your operating system.
----------------	--

## Storage and operating requirements

**Power requirements and consumption** 100V–240V AC at 50 Hz–60 Hz

Full mode	360 W
-----------	-------

ECO mode	360 W
----------	-------

Standby mode	0.5 W
--------------	-------

### Operating temperature

Interactive whiteboard	41°F to 95°F (5°C to 35°C) from 0' to 6000' (0 m to 1800 m) 41°F to 86°F (5°C to 30°C) from 6000' to 9800' (1800 m to 3000 m)
------------------------	--

Projector	Standard speed: 41°F to 95°F (5°C to 35°C) from 0' to 6000' (0 m to 1800 m) High speed: 41°F to 86°F (5°C to 30°C) from 6000' to 6800' (1800 m to 2100 m)
-----------	--

**Storage temperature** -4°F (-20°C) to 122°F (50°C)

**Humidity** Up to 80% storage relative humidity, non-condensing  
Up to 80% operating relative humidity, non-condensing

## Certification and compliance

**Regulatory certification** CB, CCC, CE, C-Tick, FCC, KC, GOST-R, NOM, PSB, PSE, TUV-GS, UL/CSA(U.S./Canada) and VCCI

### Environmental compliance

China	EIP
-------	-----

European Union	REACH, RoHS, WEEE, Battery, Packaging and ErP Standby
----------------	---

U.S.	Packaging and Conflict Minerals
------	---------------------------------

## Warranty

<b>Interactive whiteboard</b>	Two-year limited equipment warranty OR Five-year limited equipment warranty upon registration
-------------------------------	--

<b>Projector</b>	Three-year limited equipment warranty
------------------	---------------------------------------

<b>Projector lamp</b>	1000-hour/one-year warranty
-----------------------	-----------------------------

<b>ECP</b>	Three-year limited equipment warranty
------------	---------------------------------------

## Purchasing information

### Order numbers

SB88516	87" (221 cm) diagonal SMART Board interactive whiteboard with a SMART UF70w projector system. Includes a SMART Notebook software installation DVD.
---------	--

1020991	Replacement lamp for SMART UF70 / UF70w projectors.
---------	---

SPECIFICATIONS

**SMART BOARD® INTERACTIVE WHITEBOARD SYSTEM – MODEL SB88516**

1013576                      Projector hardware kit (see [smarttech.com/kb/160505](http://smarttech.com/kb/160505))

---

**Optional extended warranty**

(EWY1-UF70W)              SMART UF70w projector one-year warranty extension.  
(available at time of projector purchase only)

---

(EWY2-UF70W)              SMART UF70w projector two-year warranty extension.  
(available at time of projector purchase only)

---

**Optional accessories**      See [smarttech.com/accessories](http://smarttech.com/accessories)

---

[smarttech.com/support](http://smarttech.com/support)

[smarttech.com/contactsupport](http://smarttech.com/contactsupport)

© 2013–2014 SMART Technologies ULC. All rights reserved. SMART Board, smarttech, the SMART logo and all SMART taglines are trademarks or registered trademarks of SMART Technologies ULC in the U.S. and/or other countries. All third-party product and company names may be trademarks of their respective owners. This product and/or use thereof covered by one or more of the following U.S. patents. [www.smarttech.com/patents](http://www.smarttech.com/patents). Contents are subject to change without notice. 11/2014.