

Specifications

SMART Board® 7075 Pro interactive display

Model SBID-7075P

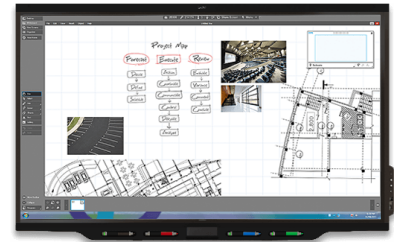
Overview

The SMART Board® 7075 Pro interactive display combines a premium touch experience with the power of SMART Meeting Pro® software.

The 75" 4K ultra-high-definition LED display provides optimal image clarity and wide viewing angles. With the Pen ID™ feature, you can assign different appearances to the four pens and write or draw over any application in digital ink.

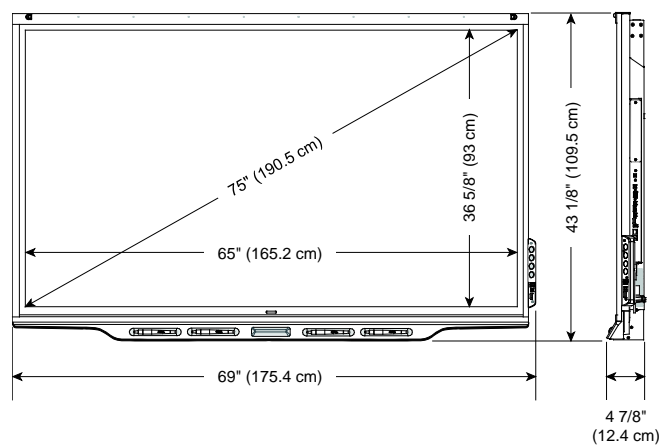
Object Awareness™ allows you to perform mouse functions with your finger, write in digital ink with the pen, and erase with your palm or eraser—all without switching tools or modes. You can use a variety of gestures in applications, and four users can write or draw at the same time.

See smarttech.com for more information.



Dimensions and weights¹

Dimensions



Weight

172 lb. (78 kg)

Shipping dimensions (including pallet)

75 3/8" × 54 1/4" × 11 3/4"
(191.6 cm × 137.8 cm × 30 cm)

Shipping weight

225 lb. (102 kg)



As an ENERGY STAR® certified signage display, the SMART Board 7075 Pro interactive display meets strict energy efficiency guidelines set by the U.S. Environmental Protection Agency and Department of Energy.

¹All dimensions ± 1/8" (0.3 cm). All weights ± 2 lb. (0.9 kg).

Hardware

Interaction

Touch technology	HyPr Touch™ (Hybrid Precision Touch) technology
Multitouch capabilities	Up to 10 simultaneous touch, writing and erase points ²
Object Awareness	Behavior adjusts automatically to the tool or object you're using, whether it's a pen, finger, eraser or palm.
Pen ID	Four people can write independently and simultaneously, using different colored ink.

Display

Type	LED
Aspect ratio	16:9
Optimal resolution	3840 × 2160 at 60 Hz
Horizontal frequency (typical)	135 kHz
Vertical frequency (typical)	60 Hz
Contrast ratio (typical)	5000:1
Brightness (maximum)	360 cd/m ²
Pixel dimensions	0.429 mm × 0.429 mm
Gamut	72% of NTSC
Viewing angle	178°
Response time (typical)	8 ms

1000BASE-T Ethernet	Two external ports for a four-port Gigabit Ethernet switched network connecting the interactive display and the OPS module to an external network and an external device, such as a computer
----------------------------	--

Presence detection	Dual sensors that reduce startup time and power consumption during inactivity
---------------------------	---

Audio	10 W integrated speakers (×2)
--------------	-------------------------------

Noise level	<30 dBA
--------------------	---------

Included cables and accessories	Country-specific power cable USB cable Pen (×4) Eraser
--	---

Mounting holes	For a standard VESA® 600 mm × 400 mm mounting plate Lower mounting holes 13 3/4" (35 cm) from the bottom of the interactive display
-----------------------	--

Mounting bracket depth	Minimum depth of 2" (5.1 cm) for all components on the back of the interactive display for airflow
-------------------------------	--

²Requires SMART Product Drivers to be installed. Some applications might not support all touch points.

Connectors

Connector panel	OPS slot Stereo 3.5 mm out S/PDIF out VGA input connectors VGA in Stereo 3.5 mm in USB Type-B HDMI 1 input connectors HDMI 2.0 in USB Type-B Display Port input connectors DisplayPort in USB Type-B USB Type-A ³ RJ45 (×2)
Convenience panel	HDMI 2 input connectors HDMI 1.4 in USB Type-B USB Type-A (×2)
Bottom	AC power in AC power out RS-232 in RS-232 out
HDCP support	Version 1.4/2.2

Installation requirements

Interactive display	See the <i>SMART Board 7000 and 7000 Pro series interactive displays installation and maintenance guide</i> (smarttech.com/kb/171164)
Room computers and guest laptops	
General requirements	See SMART Meeting Pro software release notes
4K UHD	Graphics card that can support 3840 × 2160 resolution at 60 Hz and that has 1 GB DDR 5 memory See Minimum requirements for Ultra High Definition or 4K on your interactive flat panel
Mini-computers	
General requirements	See SMART Meeting Pro software release notes
Dimensions	Smaller than 10" × 10" × 2" (25.4 cm × 25.4 cm × 5.1 cm)
Weight	Less than 10 lb. (4.5 kg)
Mounting	VESA 75 mm × 75 mm or 100 mm × 100 mm mounting pattern

³For service use only

Cable requirements

HDMI

Maximum length: 23' (7 m)

NOTES

- Use only certified HDMI cables that have been tested to support the performance standard you require.
- The performance of cables longer than 23' (7 m) is highly dependent on the cable's quality.

DisplayPort

DisplayPort 1.2 compliant or better
Maximum length: 23' (7 m)

USB

Maximum length: 16' (5 m)

Important

Using cables that exceed these maximum lengths can produce unexpected results, such as degraded picture quality or USB connectivity. Refer to *SMART installation standards* (smarttech.com/kb/171035) for comprehensive information about cables and extensions for SMART hardware products.

Storage and operating requirements

Power requirements 100V to 240V AC, 50 Hz to 60 Hz

Power consumption at 77°F (25°C)

Standby mode <2 W

Normal operating
(out-of-box) 147 W

Operating temperature 41–95°F (5–35°C)

Storage temperature -4–140°F (-20–60°C)

Humidity 5–80% relative humidity, non-condensing

Certification and compliance

Regulatory certification EU RED and LV Directives, ISED, cUL, FCC, UL, RCM, CITIC, TRA

Environmental compliance

European Union REACH, RoHS, WEEE, Battery and Packaging

U.S. CONEG Packaging, California Prop 65

Purchasing information

Order number

SBID-7075P	SMART Board 7075 Pro interactive display with one SMART Meeting Pro software room license and 10 SMART Meeting Pro software personal licenses
------------	---

Optional accessories

UGK-AM40-ENT	iQ appliance for SMART Board 6000 and 7000 series interactive displays
WM-SBID-501	Fixed wall mount for SMART Board interactive displays
Other	See smarttech.com/accessories

Warranty

Three-year limited equipment warranty

Extended warranty

EWY1-SBID-7075	One-year warranty extension
EWY2-SBID-7075	Two-year warranty extension

smarttech.com/support
smarttech.com/contactsupport

© 2017 SMART Technologies ULC. All rights reserved. SMART Board, SMART Meeting Pro, Pen ID, Object Awareness, HyPr Touch, smarttech, the SMART logo and all SMART taglines are trademarks or registered trademarks of SMART Technologies ULC in the U.S. and/or other countries. iPhone, iPad, iPod touch and Safari are trademarks of Apple Inc., registered in the U.S. and other countries. Google Play, Android and Chrome are trademarks of Google Inc. All other third-party product and company names may be trademarks of their respective owners. This product and/or use thereof is covered by one or more of the following U.S. patents: www.smarttech.com/patents. Contents are subject to change without notice. 10/2017.