

## Specifications

# SMART Board® MX275 interactive display with iQ

## Model SBID-MX275

### Overview

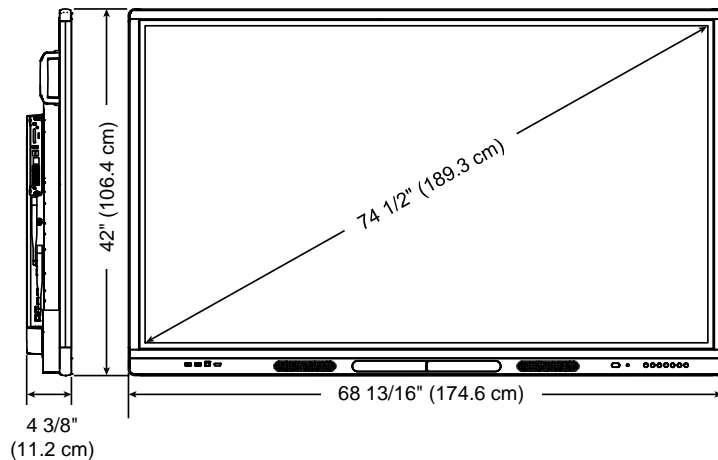
Digital whiteboard. Web browser. Screen sharing. Our newest SMART Board® MX series has all the essentials educators need for bringing the devices students love into any learning environment. MX series is a great value for schools that need an interactive display on a budget. Available in 65", 75" and 86" sizes—all in 4K Ultra HD resolution—with SMART Learning Suite included, and a standard three-year warranty.

The SMART Board MX series iQ technology puts everything you need in one place, available at the touch of a finger. No need for wires and cables. The embedded iQ appliance offers one-touch access to SMART Learning Suite applications, including SMART Notebook® lessons, SMART lab™ activities and SMART amp® software workspaces. You can also access collaboration tools, including a digital whiteboard, built-in web browser and wireless screen sharing (iOS and Android™ mobile devices and a wide variety of computers).



### Dimensions and weights<sup>1</sup>

#### Dimensions



#### Weight

133 lb. (60 kg)

#### Active touch area

66 1/2" × 38" (168.8 cm × 96.6 cm)

#### Active image area

65" × 36 1/2" × (165 cm × 92.8 cm)

#### Shipping dimensions (including pallet)

75" W × 50 1/4" H × 11 5/8" D  
(190.5 cm × 29.5 cm × 127.7 cm)

#### Shipping weight

192 lb. (87 kg)

<sup>1</sup>All dimensions ± 1/8" (0.3 cm). All weights ± 2 lb. (0.9 kg).

## Hardware

### Interaction


Touch technology	IR
Multitouch capabilities	Up to 10 simultaneous touch, writing or erase points <sup>2</sup>
Object awareness	Behavior adjusts automatically to the tool or object you're using, whether it's a pen, finger or palm.

### Display

Type	LED backlit
Aspect ratio	16:9
Resolution	4K UHD
Positioning accuracy	<2 mm
Horizontal frequency (minimum)	31 Hz
Horizontal frequency (maximum)	140 kHz
Vertical frequency (minimum)	59 Hz
Vertical frequency (maximum)	70 Hz
Contrast ratio (typical)	1200:1
Brightness (maximum)	≥350 cd/m <sup>2</sup>
Refresh frequency	60 Hz
Pixel clock (maximum)	600 MHz
Pixel dimensions	0.43 mm
Viewing angle	178°
Response time (typical)	8 ms
Ambient light sensor	Yes

<b>Audio</b>	10 W integrated speakers (×2)
--------------	-------------------------------

<sup>2</sup>Requires SMART Product Drivers to be installed. Some applications might not support all touch points.

<b>Included cables and accessories</b>	iQ appliance Country-specific power cable 16' 5" (5 m) USB cable Wall mount bracket kit Pen (×2) Antennas (×2) IR remote control	
<b>iQ appliance</b>		
Wireless technology	Bluetooth® dual mode (backwards compatible with Bluetooth 2.1 + EDR)	
Capture options	Establish a Bluetooth wireless connection with a supported mobile device (see below) by scanning the interactive display's unique QR code	
Supported languages	French German Italian Japanese Korean Norwegian Simplified Chinese Spanish Swedish Traditional Chinese	
<b>Mounting holes</b>	For a standard VESA® 600 mm × 400 mm mounting plate with M8 screws	
	 <b>NOTE</b> A wall mount is included with the display.	
<b>Mounting bracket depth</b>	Minimum clearance depth of 1 1/4" (3 cm) for all components on the back of the interactive display for airflow	
<b>Connectors</b>		
<b>Back</b>	Connector panel: HDMI® in (with HDCP 2.2 support) (×2) VGA in RJ45 (×2) USB Type-B (for touch applications) (×1) USB 2.0 Type-A (×2) HDMI 1.4 out (HDCP-compliant) <sup>34</sup> S/PDIF out (optical) Stereo 3.5 mm in (for VGA in) Stereo 3.5 mm out OPS slot RS-232 control	iQ appliance (AM40): USB 3.0 Type-A (×2) HDMI 1.4 (HDCP-compliant)

<sup>3</sup>HDCP is always enabled. Content is shown in 480p resolution if the external display doesn't support HDCP.

<sup>4</sup>HDMI out is an optional feature. Contact your authorized SMART reseller ([smarttech.com/where](http://smarttech.com/where)) for further ordering instructions.

**SMART BOARD MX275 INTERACTIVE DISPLAY WITH IQ – MODEL SBID-MX275**

<b>Front</b>	HDMI in (with HDCP 1.4 support) USB Type-B (for touch applications) USB Type-A (×2)
--------------	---

## Applications

<b>Interactive display</b>	Apps included in the iQ appliance One-year subscription to SMART Learning Suite
----------------------------	--

## Installation requirements

<b>Interactive display</b>	See the <i>SMART Board MX series interactive displays installation and maintenance guide</i> ( <a href="http://smarttech.com/kb/171257">smarttech.com/kb/171257</a> )
----------------------------	---

<b>SMART Notebook® Player mobile app</b>	iOS 10 or later operating system software
--	---

**SMART kapp® app**

Apple devices	iOS 9 or later operating system software 50 MB of storage iPhone 4S or later Third-generation iPad or later First-generation iPad mini or later Fifth-generation iPod touch or later
---------------	---

Android devices	Android 4.4.4 (KitKat) or later operating system 50 MB of storage (internal or SD card) 1024 MB of RAM 720p or better screen resolution Bluetooth 2.1 + EDR 3 megapixel or better rear-facing camera (recommended)
-----------------	---

**SMART kapp viewer**

Mobile	Safari for iOS 9 or later operating system software Chrome™ for Android 39.0.2171.93 or later
Desktop	Internet Explorer® 10 or later Chrome 39.0.2171.95 or later Firefox® 34.0.5 or later Safari 8.0 or later

**Room computers and guest laptops**

General requirements	See the <a href="#">SMART Notebook software release notes</a>
4K UHD	Graphics card that supports 3840 × 2160 resolution at 30 Hz and that has 1 GB DDR 5 memory See <a href="#">Minimum requirements for Ultra High Definition or 4K on your interactive flat panel</a>

**Mini-computers**

General requirements	See the <a href="#">SMART Notebook software release notes</a>
Bracket	Optional bracket available

## Cable requirements

### HDMI

Maximum length: 23' (7 m)

#### NOTES

- Use only certified HDMI cables that have been tested to support the performance standard you require
- The performance of cables longer than 23' (7 m) is highly dependent on the cable's quality

### USB

Maximum length: 16' (5 m)

### Important

Using cables that are longer than these maximum lengths can produce unexpected results, such as degraded picture quality or USB connectivity. Refer to *SMART installation standards* ([smarttech.com/kb/171035](http://smarttech.com/kb/171035)) for comprehensive information about cables and extensions for SMART hardware products.

## Storage and operating requirements

**Power requirements** 100V to 240V AC, 50 Hz to 60 Hz

### Interactive flat panel and IQ appliance power consumption at 77°F (25°C)

Standby mode ≤0.3 W

Maximum operating 224 W

### Standalone interactive display power consumption at 77°F (25°C)

Standby mode ≤0.3 W

Normal operating  
(out-of-box) 209 W

**Operating temperature** 41–95°F (5–35°C)

**Storage temperature** -4–140°F (-20–60°C)

**Humidity** 5–80% relative humidity, non-condensing

## Certification and compliance

**Regulatory certification (Model ID: IDX75-1)** UL (U.S./Canada), FCC, IC, CE, EAC, RCM, NRCS, SABS, CITC, TRA

### Environmental compliance

European Union REACH, RoHS, Battery, WEEE and Packaging

U.S. CONEG Packaging, California Proposition 65 and Conflict Minerals

## Purchasing information

### Order number

SBID-MX275	SMART Board MX075 interactive display with iQ and SMART Learning Suite
------------	--

---

### Optional accessories

Other	See <a href="http://smarttech.com/accessories">smarttech.com/accessories</a>
-------	--

---

### Warranty

North America and rest of world (except UK)	Three-year limited equipment warranty
---	---------------------------------------

---

UK	Five-year limited equipment warranty
----	--------------------------------------

---

### Extended warranty

EWY1-SBID-MX275	SBID-MX275 interactive display with iQ one-year warranty extension
-----------------	--

---

EWY2-SBID-MX275	SBID-MX275 interactive display with iQ two-year warranty extension
-----------------	--

---

---

[smarttech.com/support](http://smarttech.com/support)  
[smarttech.com/contactsupport](http://smarttech.com/contactsupport)

© 2018 SMART Technologies ULC. All rights reserved. SMART Board, SMART Notebook, SMART lab, SMART amp, SMART response 2, DVIT, Pen ID, Object Awareness, smarttech, the SMART logo and all SMART taglines are trademarks or registered trademarks of SMART Technologies ULC in the U.S. and/or other countries. iPhone, iPad, iPod touch and Safari are trademarks of Apple Inc., registered in the U.S. and other countries. Google Play, Android and Chrome are trademarks of Google Inc. All other third-party product and company names may be trademarks of their respective owners. This product and/or use thereof is covered by one or more of the following U.S. patents: [www.smarttech.com/patents](http://www.smarttech.com/patents). Contents are subject to change without notice. 05-2018.